



INSTRUCTION MANUAL

23KG (50LB) PUSH SPREADER

MODEL NO: THS50 -- PRODUCT NO: 193848002

EN - ORIGINAL INSTRUCTIONS

ASSEMBLY REQUIRED

SAVE THESE INSTRUCTIONS

SPARES & SUPPORT: 01793 333212

DO NOT USE WITH ROCK SALT

Using rock salt in this spreader will damage the mechanism and shorten the life of the product. Refined ice melting salt can be used but the user should be aware that this is not a specialised salt spreader and using salt may corrode the spreader and reduce the life of the machine. Clean the spreader thoroughly after using refined de-icing salt

FOR YOUR SAFETY

Please read & understand this manual, paying attention to the safety instructions, before use.

Incorrect use of the product could put the operator or machine in danger.

Whilst every effort has been made to ensure the accuracy of information contained in this manual, our policy of continuous improvement determines the right to make modifications without prior warning.

Images used are for illustration purposes only

Copyright Notice

Copyright © Handy Distribution

Permission is granted to reproduce this publication for personal & educational use only.

Commercial copying, redistribution, hiring or lending is prohibited.

No part of this publication may be stored in a retrieval system or transmitted in any other form or means without written permission from Handy Distribution.

In all cases this copyright notice must remain intact.

CONTENTS

SPECIFICATION

IMPORTANT INFORMATION

GENERAL SAFETY INSTRUCTIONS

COMPONENTS

ASSEMBLY

OPERATION

RATE SETTINGS

MAINTENANCE

PARTS DIAGRAM

PARTS LIST

WARRANTY

ASSEMBLY IS REQUIRED - MINIMUM TWO PERSONS

- This product requires assembly before use.
- See "Assembly" section for instructions.
- Because of the weight and/or size of the machine, it is recommended that another adult is present to assist with the assembly.
- Inspect all components closely upon receipt to make sure no items are missing or damaged.



WARNING

Read this instruction manual carefully before operating this machine. Make sure that you are familiar with the controls and properly operate the machine. Following these instructions can reduce the risk of personal injury.

DO NOT USE WITH ROCK SALT.

Using rock salt in this spreader will damage the mechanism and shorten the life of the product. Refined ice melting salt can be used but the user should be aware that this is not a specialised salt spreader and using salt may corrode the spreader and reduce the life of the machine. Clean the spreader thoroughly after using refined de-icing salt.

SPECIFICATION

The manufacturer reserves the right to change the product specification and livery according to continued product improvements.

Model	THS50
Product Number	193848002
Weight	10.3kg
Capacity (Weight)	23kg (50lb)
Wheel Diameter	176mm
Tyre	Pneumatic - 4.10/3.50-6
Tyre Rating	2 Ply
Tyre Maximum PSI	25psi (Do not exceed)

Consistent with our policy of continuous improvement, The Handy reserves the right to change the design and configuration of any of its products without notice or obligation. Therefore, please treat the text and images in this manual for illustrative purposes only. They may in no case serve as a basis for any legal claim.

If you require any assistance with regards to the contents or operation of your machine, please contact us:

Tel: 01793 333212, option 2

Email: customerservice@handydistribution.co.uk

Opening Hours Weekdays: (CLOSED WEEKENDS & BANK HOLIDAYS)

February to October 8:00am - 5:00pm - November to January 8:30am - 5:00pm

IMPORTANT INFORMATION

INTENDED USAGE



WARNING

Persons should never ride on the spreader.

Read this instruction manual carefully before operating this machine. Make sure that you are familiar with the controls and properly operate the machine. Following these instructions can reduce the risk of personal injury.

The spreader is designed for use in private gardens and primarily for spreading granular material in and around domestic gardens. Ideal for fertiliser, granules, grass seed etc. This product can be used with refined ice melting salt, but please clean the spreader thoroughly after use with refined de-icing salt. Please note that this product cannot be used with Rock Salt.

Extended use over abrasive surfaces (e.g. concrete, tarmac, paving etc.) could cause premature wear on the spreader tyres. Commercial or industrial environments are not recommended.

Generally acknowledged accident prevention regulations and enclosed safety instructions must be observed.

Only perform work described in these instructions for use, any other use is incorrect. The manufacturer will not assume responsibility for damage resulting from such use.

IF NOT USED PROPERLY THIS MACHINE CAN BE DANGEROUS!

This machine can cause serious injury to the operator and others, the warning and safety instructions must be followed to ensure reasonable safety and efficiency in using this product. The operator is responsible for following the warning and safety instructions in this manual and on the machine. Never use the product unless the components are correctly positioned and operational.

TRAINING

Read the instructions carefully: Be familiar with the controls and the proper use of the equipment.









Never allow children or people unfamiliar with these instructions to use the product.

Local regulations can restrict the age of the operator.



Keep in mind that the operator or user is responsible for accidents or hazards involving the machine that occur to other people or their property.

GENERAL SAFETY INSTRUCTIONS

It is important that you read and understand the owner's manual and labels affixed to the machine. Learn its application and limitations as well as the specific potential hazards. Retain these instructions for future reference. The operator is responsible for following the warnings & instructions in this manual and on the product.

	Read & understand the operator's manual for the spreader. Failure to follow instructions could result in death or serious injury.		Risk of Slicing. Keep hands out of the way of all moving parts.
	Wear gloves to protect your hands. Wear recognised eye protection at all times.		Check your machine before using. Keep guards in place and in working order. Frequently check to see that foreign objects are removed before using. Replace damaged, missing or failed parts before using it.
SLOPES	Be careful when using on slopes. Do not operate on inclines greater than 15°. It is advised to work across the incline, not up and down.		Safety alert symbol. Used to alert you to potential personal injury hazards. Obey all safety messages that follow this symbol to avoid possible injury.
 DANGER	Indicates an imminently hazardous situation which, if not avoided, will result in serious injury.	 WARNING	Indicates a potentially hazardous situation which, if not avoided, could result in serious injury.
 CAUTION	Indicates a potentially hazardous situation which, if not avoided, may result in minor or moderate injury.	CAUTION	Used without the safety alert symbol indicates a potentially hazardous situation which, if not avoided, may result in property damage.

IMPORTANT SAFETY WARNINGS

 <p>TO REDUCE RISK OF INJURY: Before any use be sure everyone using this product reads and understands all safety instructions and other information contained in this manual.</p>  <p>WARNING</p> <p>The warnings, cautions, and instructions outlined in this instruction manual cannot cover all possible conditions or situations that may occur. It must be understood by the operator that common sense and caution are factors which cannot be built into this product and must be supplied by the operator.</p>

GENERAL SAFETY

STAY ALERT

Do not operate the machine while under the influence of drugs, alcohol, or any medication that could affect your ability to use it properly. Do not use this machine when you are tired or distracted from the job at hand. Be aware of what you are doing at all times. Use common sense.

SMALL COMPONENTS

Contains small components that could be a choking hazard if swallowed. Keep these items away from children.

USERS, BYSTANDERS AND CHILDREN

Do not at any time carry passengers in or on the spreader, stationary or whilst moving. Do not allow any person, child or pet to play on, stand, sit, lay or climb in or on the spreader. Never allow children or people unfamiliar with these instructions to use the spreader. Local regulations can restrict the age of the operator. Keep unauthorised persons a safe distance away from the machine. If approached, stop the machine immediately.

AVOID DANGEROUS CONDITIONS

Work in daylight or in good artificial light; walk, never run with the machine; always be sure of your footing on slopes; exercise extreme caution when changing direction on slopes; do not work on excessively steep slopes; use extreme caution when reversing or pulling the machine towards you; do not put hands or feet near or under rotating or moving parts. When operating on slopes, across the incline.

INSPECT YOUR MACHINE

Check all bolts, nuts, and screws for tightness before each use, especially those securing guards and drive mechanisms. Vibration during use, may cause these to loosen.

Form a habit of checking to see that all other tools/equipment are removed from the working area before operating. Replace damaged, missing or failed parts before using. Warning labels carry important information. Replace any missing or damaged warning labels.

DRESS PROPERLY

Be careful of loose clothing and other accessories (watches, necklaces etc.) which can be caught in moving parts. Long trousers are advisable. Always wear substantial non-slip footwear when operating. Never operate barefoot or when wearing sandals. Wear a face or dust mask if the operation is dusty. Wear protective hair covering to contain long hair, preventing it from getting caught in machinery.

DO NOT OVERREACH

Always keep proper footing and balance when operating. Use on slopes with great care. Never stand on the machine. Serious injury could occur if the machine is tipped or if the moving parts are unintentionally contacted. Do not store anything above or near the machine, where anyone might stand on the machine to reach them.

DO NOT FORCE TOOL

Do not exceed maximum load capacity of 23kg (50lb). Avoid large holes and ditches when transporting loads. Always work within the rated capacity. Do not use for a purpose for which it was not intended. Be careful when operating on steep slopes, the spreader may tip over. Always operate at reduce speed in rough terrain, along creeks, ditches and on hillsides. To avoid personal injury and/or equipment damage **DO NOT EXCEED 10 MPH**. Always use caution when loading and unloading the hopper.

INSPECT

Before using, always visually inspect to see that the machine is not worn or damaged. Replace worn or damaged elements and bolts in sets, to preserve balance.

MAINTAIN YOUR MACHINE WITH CARE

Clean the machine immediately after use. Keep the machine clean to ensure it operates to its full and safest performance. When maintaining this machine, only the manufacturer's original replacement parts should be used. The use of non-original manufacturer parts may invalidate your warranty.

PROTECT THE ENVIRONMENT

Take left over materials to an authorised collection point or follow the stipulations in the country where the machine is used. Do not discharge into drains, soil or water.

STORE IDLE EQUIPMENT

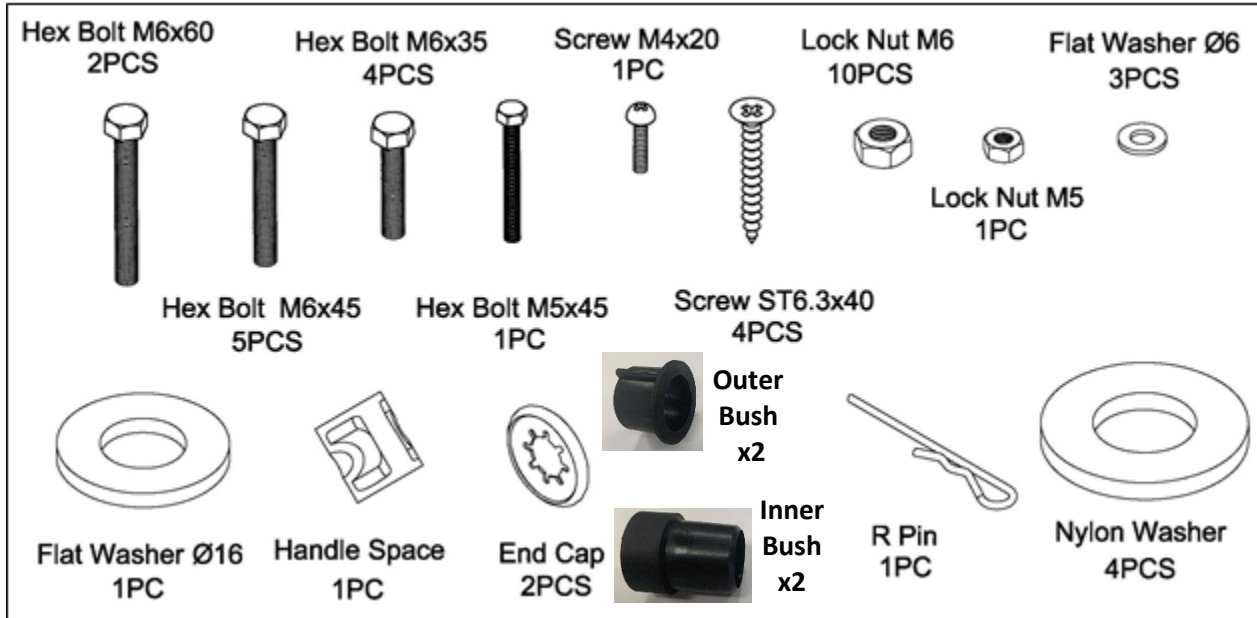
When not in use, store in a dry location. Keep the machine away from children and others not qualified to use it. Keep away from direct sunlight.

TYRE INFLATION

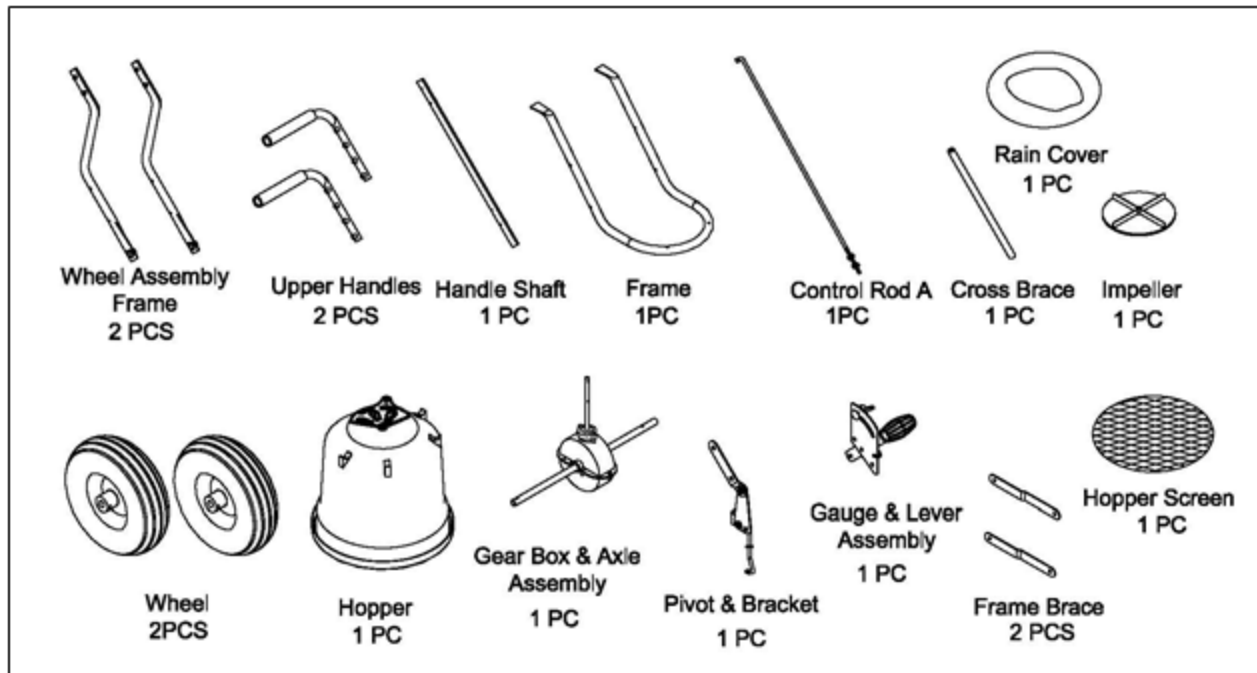
Before operating, make sure the tyres have the recommended pressure of 25 PSI (**Do not exceed 25 PSI**). We recommend the use of **FOOT or HAND** inflation devices only. This is a garden/domestic spreader, therefore extended use over abrasive surfaces (e.g. concrete, tarmac etc.) could cause premature wear on the tyres.

COMPONENTS

FIXING KIT



FRAMEWORK



NOTE: Parts Lists are supplied for information purposes only, not all parts are stocked individually & we recommend you contact our Spares Team on 01793 333212 for expert advice.

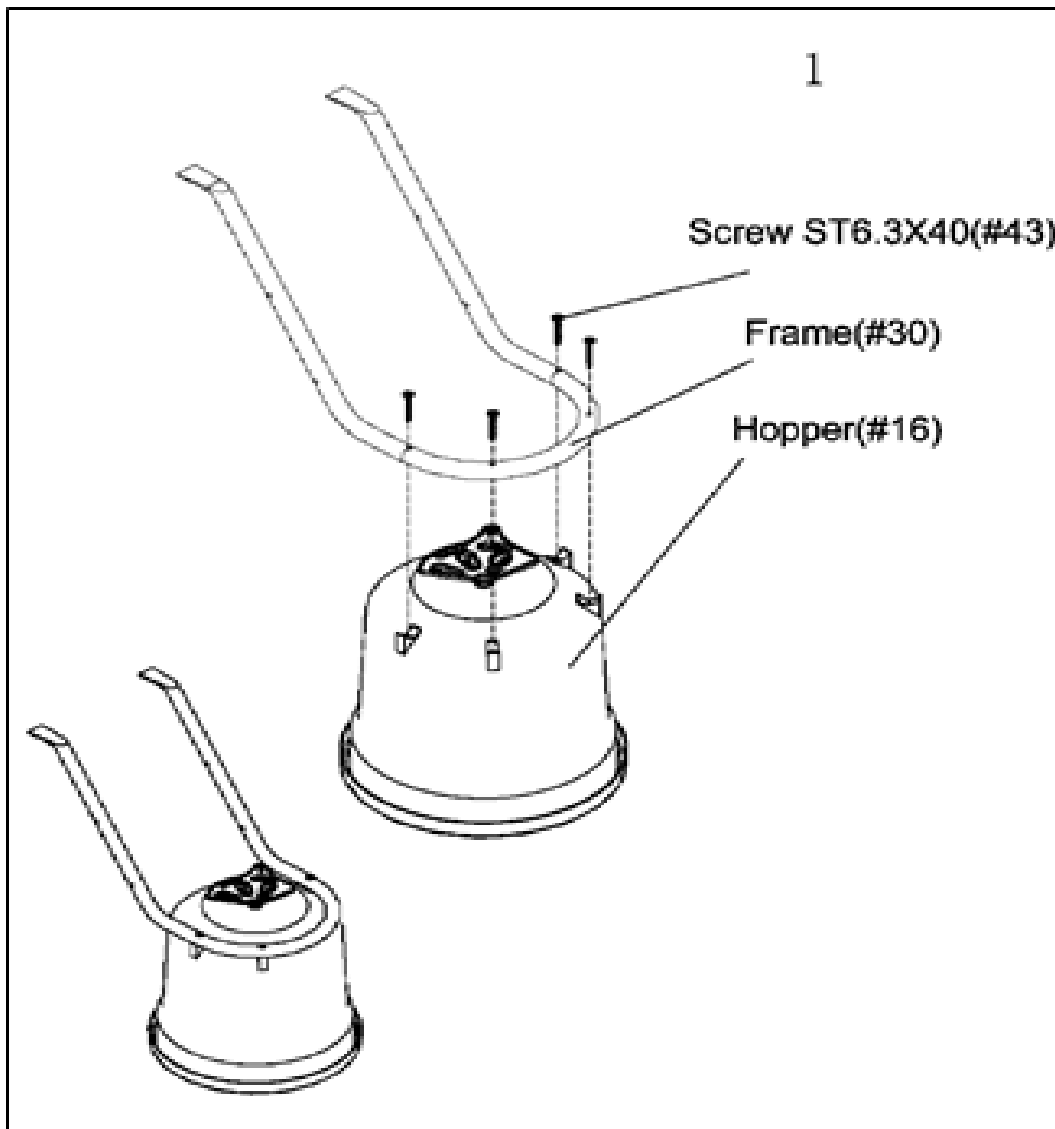
ASSEMBLY

(NUMBERS IN BRACKETS RELATE TO ITEM NUMBERS FROM PARTS LIST, LOCATED AT REAR OF MANUAL)

**DO NOT FULLY TIGHTEN EACH NUT AND BOLT UNTIL AFTER STEP 6, UNLESS ADVISED IN STEPS.
THIS ALLOWS MOVEMENT AND TOLERANCES WHEN ASSEMBLING.**

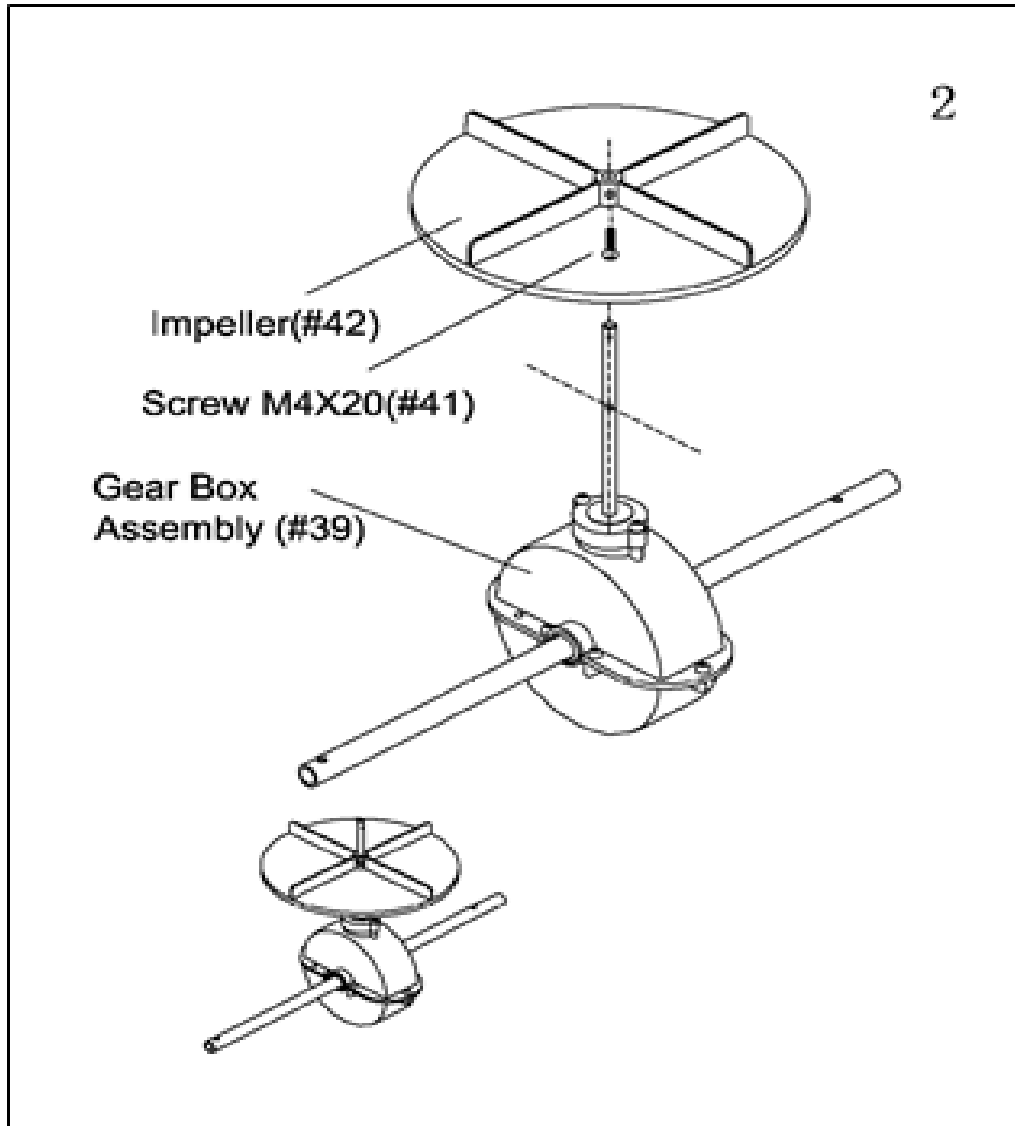
STEP 1

- Place Hopper (16) upside down & install the Hopper Frame (30) using 4x ST6.3x40 Screws (43).
- Tighten until secure.



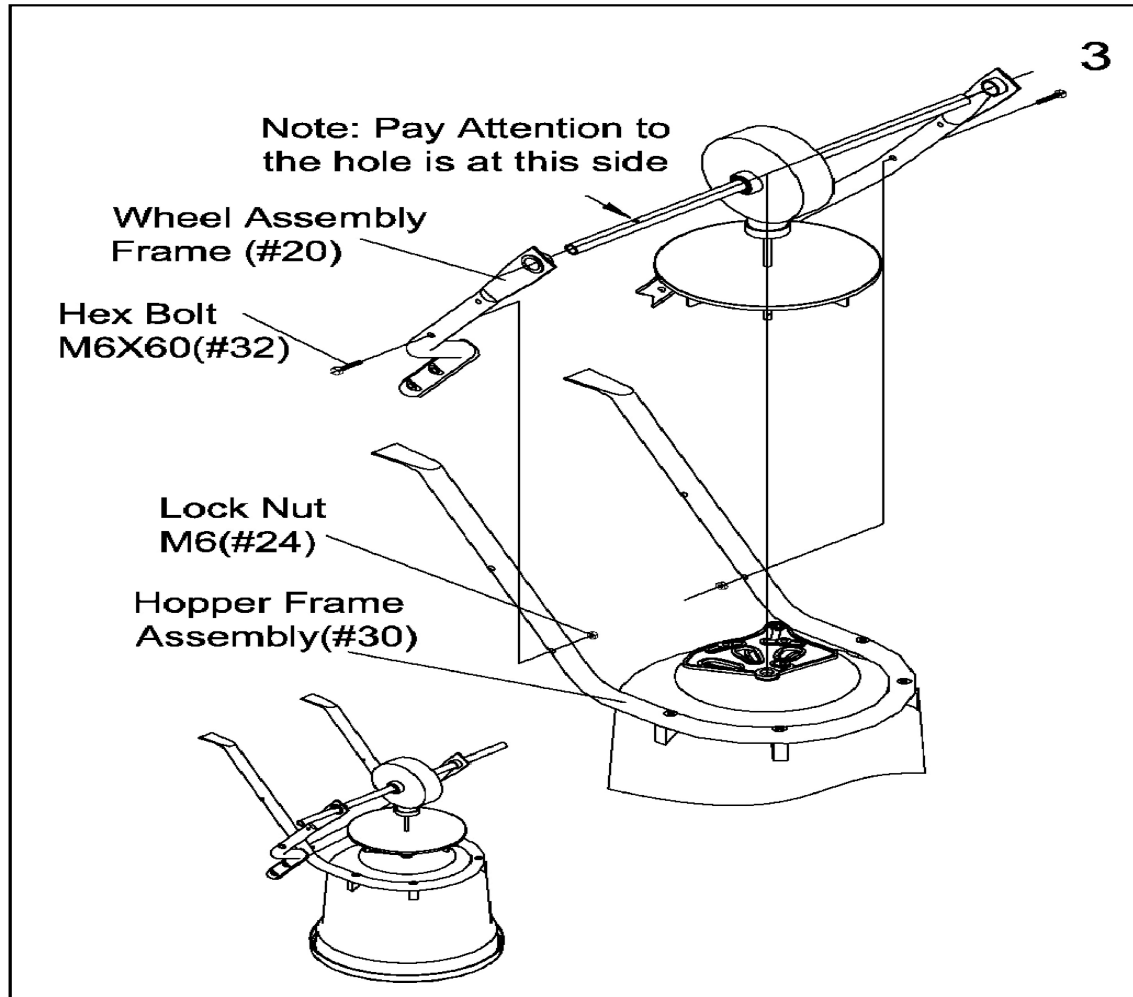
STEP 2

- Install the Impeller (**42**) onto the spindle of the Gearbox Assembly (**39**).
- Align the Impeller with the hole on the axle, located nearest the gearbox.
- Insert 1x M4x20 Screw (**41**), through the side of the Impeller & Gearbox Spindle.
- Tighten until secure.



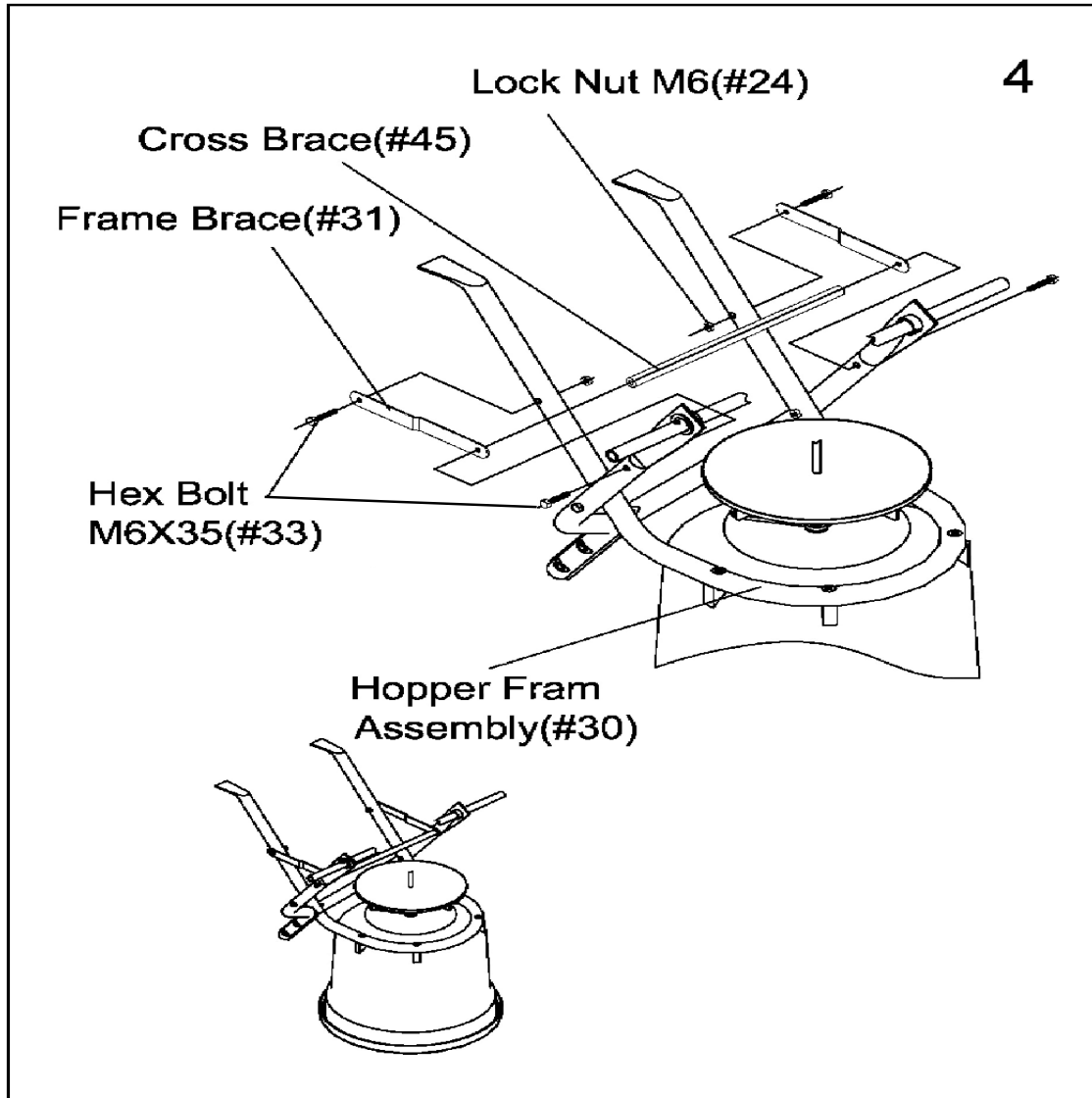
STEP 3

- Install the Wheel Assembly Frame (20) (with outer bushing) on each side of the gearbox axle, ensuring the axle fixing hole is located as imaged below and FRONT printed on the gearbox casing is to the front of the machine.
- Insert M6x60 Hex Bolt (32) through the right-hand Wheel Assembly Frame (20) & Hopper Frame (30) & secure with M6 Lock Nut (24) and repeat with the left side. Do not fully tighten the bolts.



STEP 4

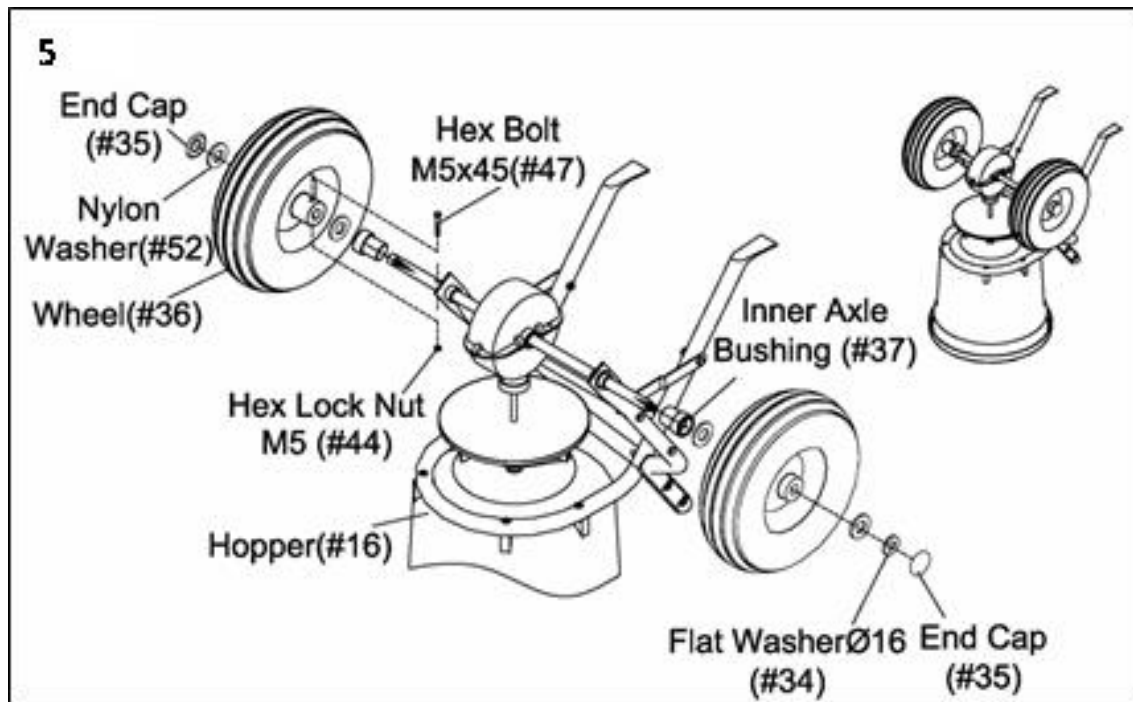
- Install the end of each Frame Brace (31) onto the Hopper Frame (30) using M6x35 Hex Bolt (33) & M6 Lock Nut (24).
- Push a M6x35 Bolt (33) through the first hole above the axle right hand Wheel Assembly Frame (20). Pass the bolt through the Frame Brace (31) and into the end of the Cross Brace (45). Repeat with the left side.
- Do not fully tighten the nuts and bolts.



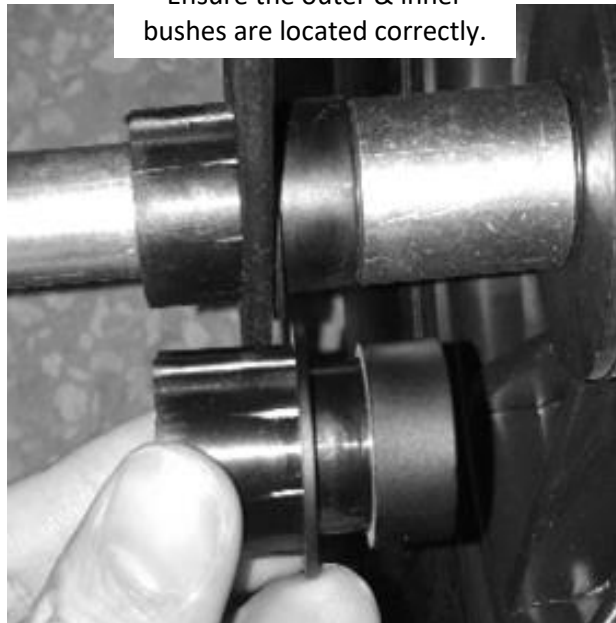
STEP 5

- Slide the Inner Axle Bushing (37) onto the right side of the axle, pushing the Inner Axle Bushing into the Outer Axle Bushing until tight.
- Starting with the right side, slide a Nylon Washer (52) onto the axle, attach the Wheel (36) to the axle and fix with a M5x45 Hex Bolt (47) & M5 Lock Nut (55). Slide a second Nylon Washer (52) onto the axle and then fix the End Cap (35), using a rubber mallet.
- Slide the Inner Axle Bushing (37) onto the left side of the axle, pushing the Inner Axle Bushing into the Outer Axle Bushing until tight
- Onto the left side, slide a Nylon Washer (52) onto the axle, followed by the Wheel (36). Slide a second Nylon Washer (52), followed by Flat Washer $\varnothing 16$ (34) onto the axle as shown, before completing with End Cap (35), using a rubber mallet.

NOTE: To assist with turning, only one wheel is affixed to the axle shaft.

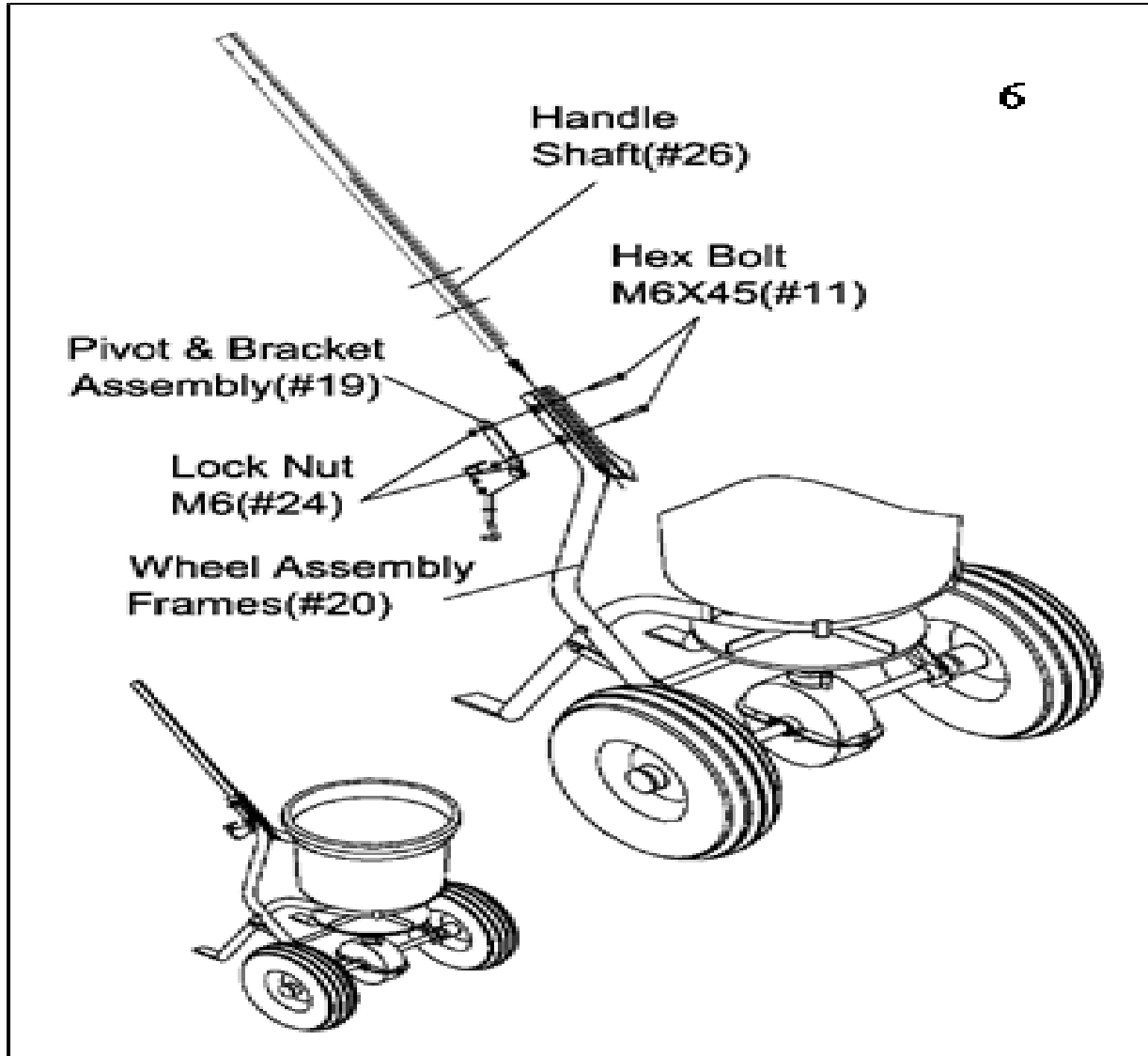


Ensure the outer & inner bushes are located correctly.



STEP 6

- Attach the Handle Shaft (26) between the top ends of the Wheel Assembly Frames (20). Pass two M6x45 Bolts (11) through the Wheel Assembly Frames & Handle Shaft. Install the Pivot & Bracket Assembly (19) onto the protruding bolt ends. Fasten with M6 Lock Nuts (24).
- Ensure the Pivot & Bracket Assembly is on the right-hand side when standing behind the spreader.

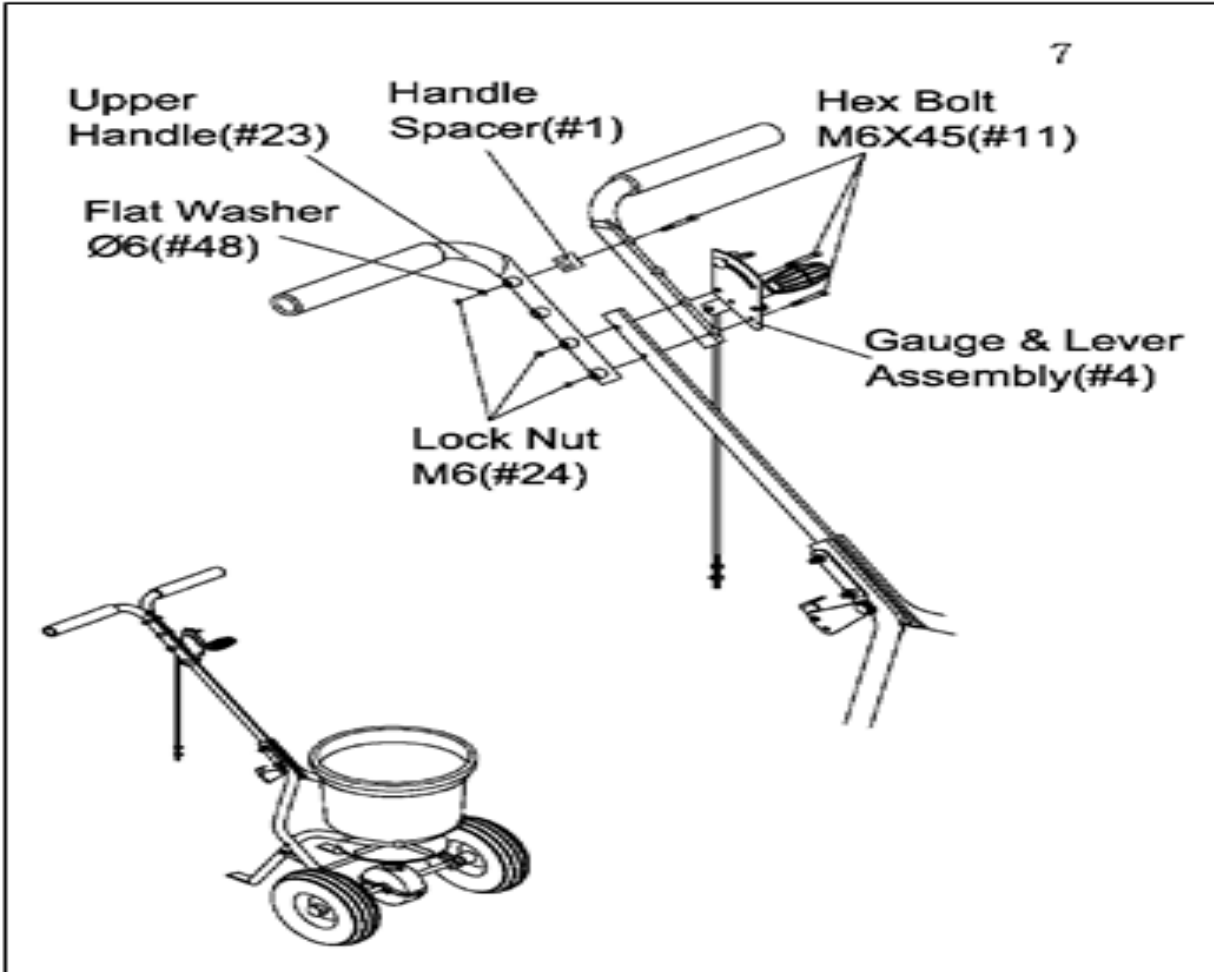


NOW GO BACK AND TIGHTEN ALL THE NUTS AND BOLTS, STARTING AT STEP 1. DO NOT OVER TIGHTEN.

NOTE: The handle height is adjustable, depending on the user's preference. Before installing the gauge, upper handles and handle shaft, decide which of the three positions will be most comfortable for the operator. If the middle or upper positions are chosen, use a handle spacer in the hole nearest to the handle grips.

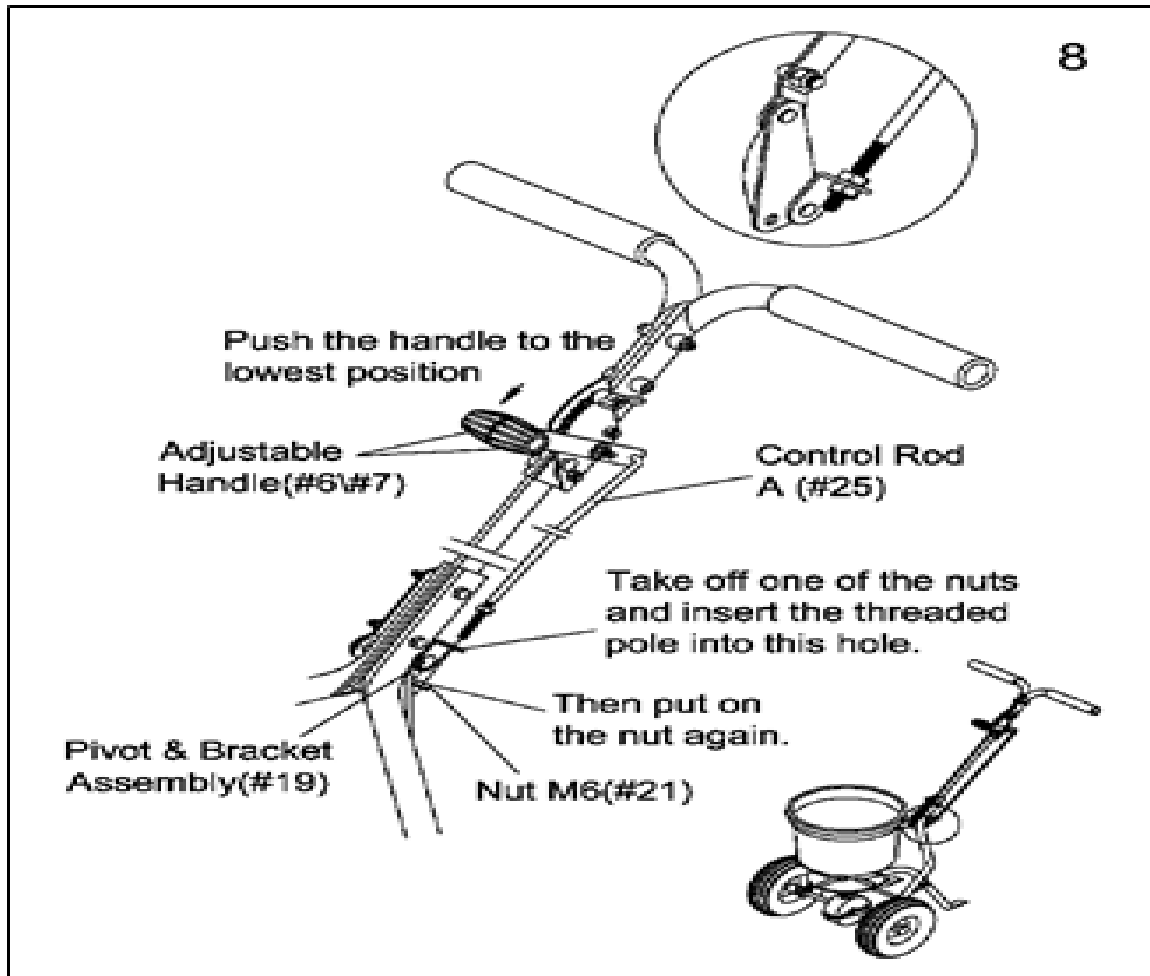
STEP 7

- Insert M6x45 Bolts (**11**) through the Upper Left Handle (**23**), then through the Handle Spacer (**1**) and Upper Handle on the right side, fasten with Flat Washer $\varnothing 6$ (**48**) & Lock Nut M6 (**24**). Slide the Gauge and Lever Assembly (**4**) onto the bolts and fasten with Lock Nut M6 (**24**).
- Tighten the lock nuts on the gauge first, then the handle.



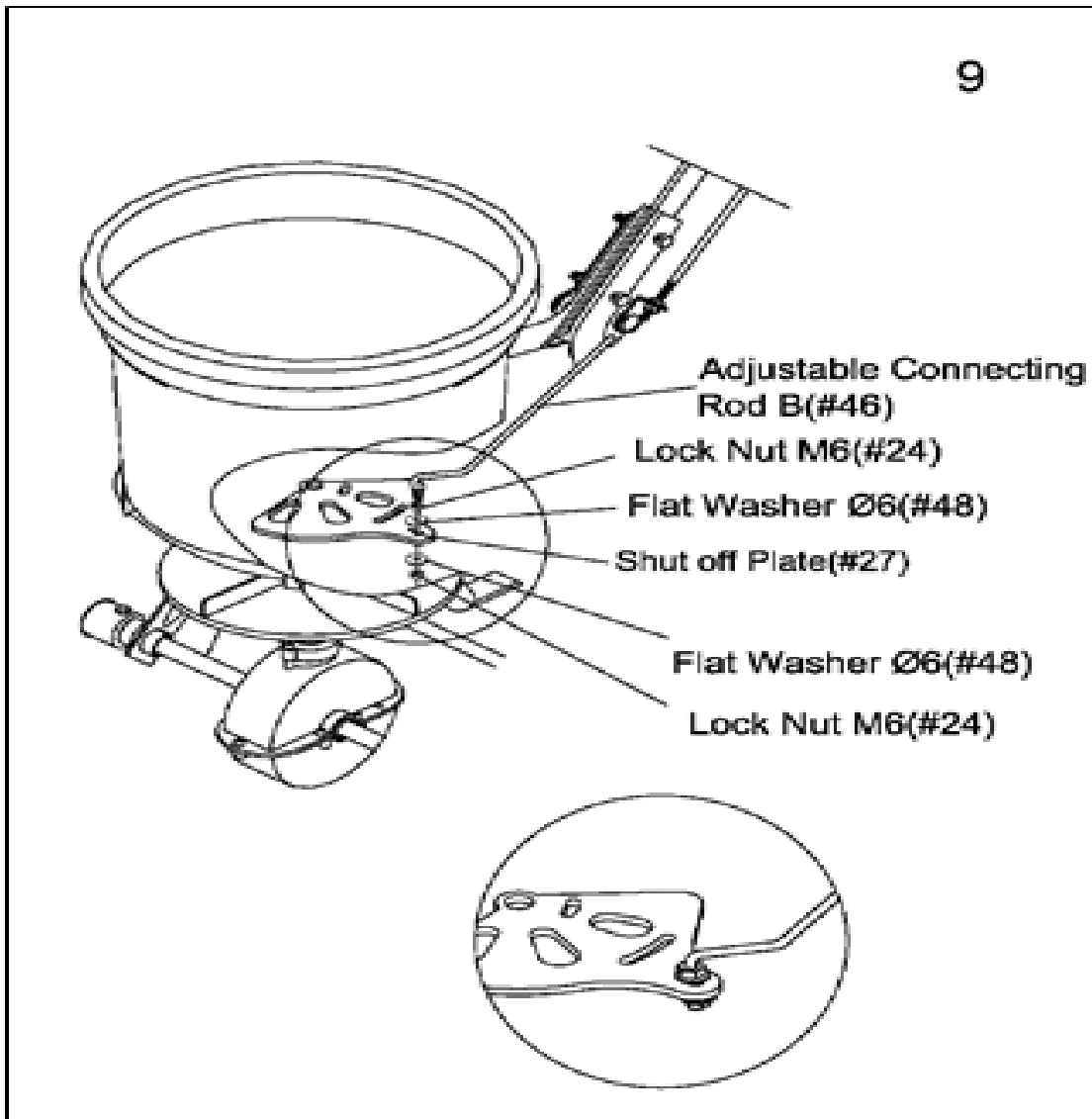
STEP 8

- Push the Adjustable Handle (6 & 7) to the lowest position.
- Insert the upper end of the Control Rod (25) into the hole at the end of the Adjustable Handle (6&7).
- Take Lower Nut (21) off the bottom end of the Control Rod (25) and insert rod into the hole in the Pivot and Bracket Assembly (19).
- Re-attach the nut and tighten.



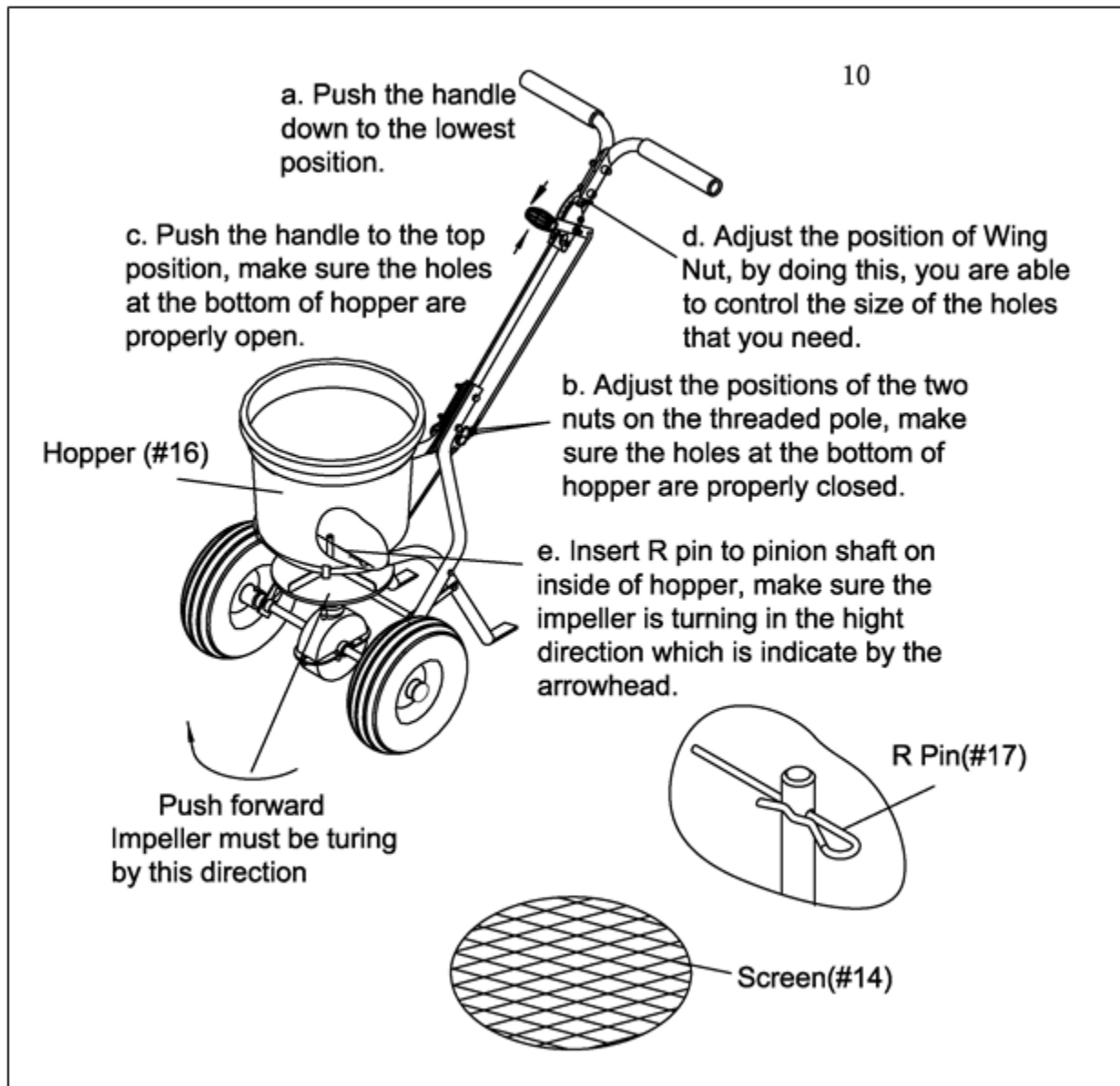
STEP 9

- Slip the threaded end of Adjustable Connecting Rod (**46**) into the Shut Off Plate (**27**) with a Flat Washer $\varnothing 6$ (**48**), then fasten with Flat Washer $\varnothing 6$ (**48**) & Lock Nut M6 (**24**).



STEP 10

- The three large holes at the bottom of the hopper should match the three holes in the adjustable plate. If they match, do nothing.
- If they do not match, push the handle down to the lowest position and adjust the positions of the two nuts on the threaded control bar until the three holes match up. If the holes are not properly aligned, the hopper will not close completely.
- To operate the spreader, push the handle up to the top position. Adjust the wing nut as needed to regulate the flow of material passing through the spreader.
- Insert R-Pin (**17**) into the hole at the top of the Gearbox Spindle at the bottom of the Hopper as shown. Make sure the impeller is turning in the right direction as indicated by the arrow.
- Place Screen (**14**) into the Hopper.



OPERATION



DANGER

The product must only be put into operation if no defects are found. It is crucial that any defective parts are replaced before the product is used again. Check the safety equipment and the safe condition of the product: Check all parts to make sure that they fit tightly. Check whether there are any visible defects: broken parts, cracks, etc.



DANGER

DO NOT EXCEED THE EQUIPMENT MAXIMUM LOAD CAPACITY OF 23kg (50lb).

Before filling the hopper, familiarise yourself with the operation of this Spreader.

- The Spreader is designed to be pushed at 3 miles per hour – brisk walking pace. The rate of walking will affect the spread pattern and flow rate.
- Move the Wing Nut attached to the stop bolt on the gauge to the relevant setting.
- Start pushing the Spreader forward & pull the control lever back to the stop bolt, opening the feed-gate hole at the bottom of the hopper.
- If the Spreader does not spread evenly, ensure that the FRONT of the gearbox points towards the front of the Spreader. The impellor must rotate clockwise.
- Material which is stuck on the impellor blades will cause uneven spreading.
- To stop spreading, push the gauge lever forward to close the feed-gate hole in the hopper.
- Remove the agitator when using refined de-icing salt to reduce gearbox damage. Salt may corrode the machine and reduce its working life. **DO NOT USE ROCK SALT.**
- If fertiliser is accidentally deposited too heavily in a small area, soak the area thoroughly with a garden hose or sprinkler to prevent burning the lawn.
- When broadcasting weed control fertilizers, make sure the broadcast pattern does not hit evergreen trees, flowers or shrubs.
- Always use the rain cover in wet weather conditions to keep the hopper contents dry.

RATE SETTINGS

Our spreaders are designed to spread dry, powdered or granulated materials thinly and evenly over reasonably smooth surfaces. Due to the many hundreds of different materials which can be used with this spreader, it is impossible to list them all and the relevant spreader setting for the material. We therefore recommend that you test the spread pattern on a hard surface (driveway etc), before passing over the area to be treated.

1. Inspect your spreader before each use. Make sure the wheels turn easily, and the impeller still moves when the spreader is pushed. The hopper should be clean and free from cracks.
2. Determine approximate square footage of the area to be covered and estimate amount of material required. Please refer to the spreader setting instructions later in the manual.
3. Spreader is useful for spreading a range of materials (Ice Melt, Fertilizer, Grass Seed). Materials such as Powder, Manure, Top Soil, Gravel, and Mulch have the wrong physical characteristics and should not be used with these spreaders.
4. Before filling the hopper, make sure that the flow control lever and the flow control plate are closed.
5. Make sure the R pin is installed through the gearbox spindle in the hopper before starting the spreader.
6. Break up any lumpy material as you fill the hopper.
7. Once you have determined your proper spreader setting and are using the spreader, keep the following thoughts in mind to optimize spreading results: Always set the adjustable stop with the flow control to the “0” position and continue moving one more stride whenever you are about to stop or turn the spreader. This action will close the flow control plate and stop the dispersing of material, which will result in reduced waste and avoid damaging the lawn with oversaturated material.

8. To maintain the same coverage when walking at a different speed, adjust the flow rate. Reduce the flow setting for slower speeds and increase the flow setting for higher speeds.
9. Keep the impeller plate horizontal when operating. Tilting the spreader will result in uneven coverage.
10. Always start walking prior to opening the flow control closure plate.
11. If spreading material is accidentally deposited too heavily in a small area, soak the area thoroughly with a garden hose or sprinkler to prevent burning of the lawn.
12. To ensure consistent coverage, make sure each scatter pattern slightly overlaps as shown in figure below. The approximate scatter widths for different materials are shown in the application chart.
13. When scattering spreading material, make sure material does not hit evergreen trees, flowers or shrubs.
14. Make sure you are appropriately dressed, including sturdy footwear. Protect yourself by wearing gloves and a dust mask when handling chemical lawn products that contain pesticides and herbicides.
15. Do not over apply spreading material. Follow the recommended coverage rate for each product. Over application will lead to lawn damage and contamination.



CAUTION

The rate settings are guidelines only. Even branded materials may vary in grain size, humidity, density etc. If in any doubt choose a lower setting than that suggested or start at a mid-setting and adjust as necessary, until an even spread is achieved.

DO NOT USE WITH ROCK SALT.

Using rock salt in this spreader will damage the mechanism and shorten the life of the product. Refined ice melting salt can be used but the user should be aware that this is not a specialised salt spreader and using salt may corrode the spreader and reduce the life of the machine. Clean the spreader thoroughly after using refined de-icing salt.

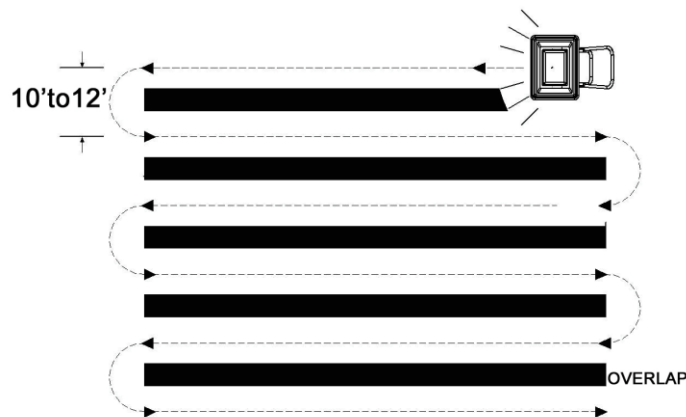


WARNING

Do not over apply spreading material. Follow the recommended coverage rate for each product. Over application will lead to damage and contamination. If spreading material accidentally deposits too heavily, soak the area thoroughly with a garden hose or sprinkler to prevent burning.

CONSISTENT COVERAGE

To ensure consistent coverage, ensure each broadcast pattern slightly overlaps the previous, as shown below. **N.B. ALWAYS MOVE OFF BEFORE OPENING FEED-GATE.ALWAYS CLOSE FEED-GATE BEFORE STOPPING.**



SPREADER SETTING INSTRUCTIONS

FOR MATERIALS THAT USE A TYPICAL 5,000 Sq. Ft, 10,000 Sq. Ft. & 15,000 Sq. Ft. COVERAGE VALUE

See additional spreader setting instructions on the following pages if your material coverage value is not typical.

To obtain the proper spreader setting for the material being spread, follow these steps:

1. Find the total weight in lbs. Of the product from the product label on the bag of material. Reference the nearest corresponding row in Chart A.
2. Find the coverage amount in square feet that the product is rated for from the product label on the bag of material. Reference the corresponding column in Chart A.
3. Find the nearest intersecting point of these two numbers from Chart A. (this number equals the lbs. per 1000 sq. ft.)
4. Use this number to find the nearest number in the column “lbs. / 1000 sq. ft.” on Chart B to obtain the spreader setting.
5. You may have to approximate your spreader setting based upon the lbs. per 1000 sq. ft. number that you arrived at.

As an example:

1. The fertilizer bag weighs 42 lbs.
2. The coverage value is rated at 15,000 square feet.
3. Use Chart A to find the corresponding column of coverage and nearest row of weight. The nearest intersecting point is approximately 2.8 since the bag weight is between 40 lbs. and 45 lbs.
4. Using Chart B, the number 2.8 is between 2 lbs. per 1000 sq. ft. and 3 lbs. per 1000 sq. ft.
5. Spreader setting would be 14.

CHART A – SQUARE FOOT COVERAGE PER BAG*

(*) These are only estimates. Actual amounts may vary.

Weight Of Bag (LBS.)	LBS/1,000 SQ FT		
	5,000 SQ FT	10,000 SQ FT	15,000 SQ FT
5	1.0	0.5	0.3
10	2.0	1.0	0.7
15	3.0	1.5	1.0
20	4.0	2.0	1.3
25	5.0	2.5	1.7
30	6.0	3.0	2.0
35	7.0	3.5	2.3
40	8.0	4.0	2.7
45	9.0	4.5	3.0
50	10.0	5.0	3.3

CHART B – SPREADER SETTINGS/SPREAD WIDTHS***(*) These are only estimates actual spreader setting and widths may vary depending on material.**

LBS/1,000 SQ FT	SPREADER SETTING	SMALL PARTICLE SPREAD	MEDIUM PARTICLE SPREAD	LARGE PARTICLE SPREAD
1	10	5-6 ft.	6-9 ft.	9-12 ft.
2	12	5-6 ft.	6-9 ft.	9-12 ft.
3	14	5-6 ft.	6-9 ft.	9-12 ft.
4	15	5-6 ft.	6-9 ft.	9-12 ft.
5	17	5-6 ft.	6-9 ft.	9-12 ft.
6	18	5-6 ft.	6-9 ft.	9-12 ft.
7	20	5-6 ft.	6-9 ft.	9-12 ft.
8	21	5-6 ft.	6-9 ft.	9-12 ft.
9	23	5-6 ft.	6-9 ft.	9-12 ft.
10	25	5-6 ft.	6-9 ft.	9-12 ft.

ADDITIONAL INSTRUCTIONS**FOR MATERIALS THAT DO NOT USE A TYPICAL 5,000 Sq. Ft, 10,000 Sq. Ft. & 15,000 Sq. Ft. COVERAGE VALUE****To obtain the proper spreader setting for the material being spread, follow these steps:**

1. Find the total weight in lbs. of the product from the product label on the bag of material.
2. Find the coverage amount in square feet that the product is rated for from the product label on the bag of material.
3. Divide the bag weight rated in lbs. by the square feet coverage rated on the bag.
4. Take this result and multiply it by 1000.
5. This final number is the lbs. of material to be spread per 1000 square feet.
6. Use this number in Chart B to obtain the proper spreader setting.

As an example:

1. *The fertilizer bag weighs 10 lbs.*
2. *The coverage value is rated at 2000 square feet.*
3. *10 lbs. / 2000 square ft. = 0.005*
4. *0.005 × 1000 = 5 lbs. per 1000 sq. ft.*

Using this number in Chart B, you would obtain a spreader setting of 17.

MAINTENANCE

LUBRICATE

Maintenance spray or multi-purpose grease can be applied to the wheel axle prior to long-term storage. Oiling is not necessary.

GEARBOX

DO NOT open the gearbox. The gears are permanently lubricated from the factory and do not need lubricating.

CHECK TYRE INFLATION

Prior to using the spreader, ensure the tyres are sufficiently inflated. We recommend the use of FOOT or HAND inflation devices only. **Do not inflate above 25psi.**

CLEANING

After each use thoroughly wash the spreader and clean material out of the hopper.

STORING

Never allow material to stay in the hopper for extended periods of time.

Before storing, ensure that the spreader is clean and dry.

Store indoors or in a protected area during severe weather and in the winter months.

CHECK ALL NUTS, BOLTS AND FASTENING

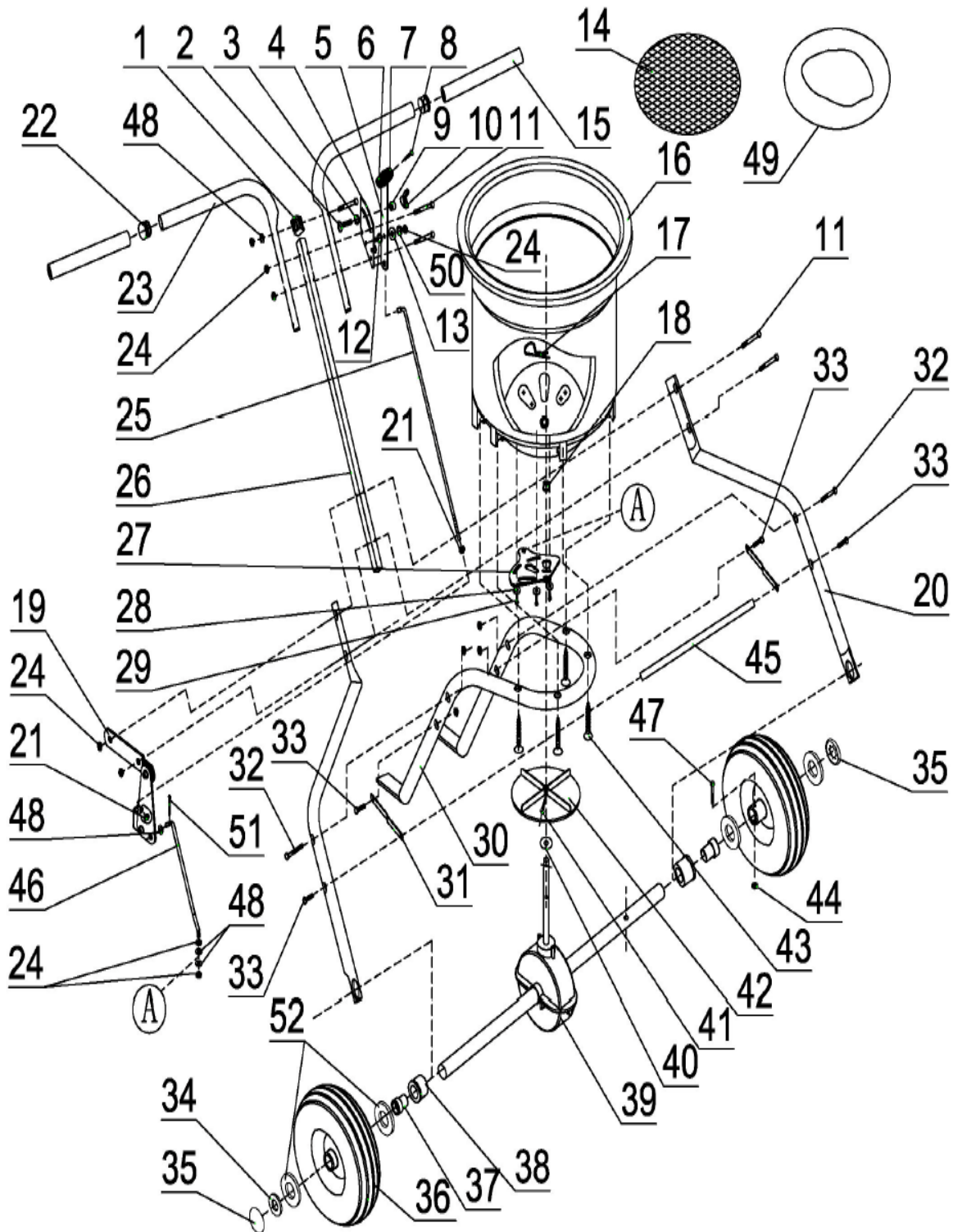
Periodically check all fastenings are tight & secure.

NEVER EXCEED LOAD CAPACITY

To avoid damaging the spreader, never exceed the rated load capacity of 23kg (50lb).

PARTS DIAGRAM – THS50 (193848002)

NOTE: Parts Lists are supplied for information purposes only, not all parts are stocked individually & we recommend you contact our Spares Team on 01793 333212 for expert advice.



PARTS LIST – THS50 (193848002)

ITEM NO	PART NO	DESCRIPTION	QTY	ITEM NO	PART NO	DESCRIPTION	QTY
1	TH137-1	Handle Spacer	1	27	TH137-27	Shut off plate	1
2	TH137-2	Bolt M6x25	1	28	TH137-28	Big Flat Washer Ø4	1
3	TH137-3	Lock Washer 08	1	29	TH137-29	Screw ST4.2x12	3
4	TH137-4	Gauge Plate	1	30	TH137-30	Hopper Frame	1
5	TH137-5	Adjust Handle Pole	1	31	TH137-31	Frame Brace	2
6	TH137-6	Adjust Handle A	1	32	TH137-32	Hex Bolt M6X60	2
7	TH137-7	Adjust Handle B	1	33	TH137-33	Hex Bolt M6X35	4
8	TH137-8	Screw M4x18	1	34	TH137-34	Flat Washer Ø16	1
9	TH137-9	Spacer	1	35	TH137-35	End Cap	2
10	TH137-10	Wing Nut M6	1	36	TH137-36GM	Wheel & Tyre	2
11	TH137-11	Bolt M6x45	5	37	TH137-37	Inner Axle Bushing	2
12	TH137-12	Nylon Washer	1	38	TH137-38	Outer Axle Bushing	2
13	TH137-13	Flat Washer Ø6	1	39	TH137-39	Gearbox & Axle Ass'y	1
14	TH137-14	Screen	1	40	TH137-40	Thin Washer	1
15	TH137-15	Handle Cover	2	41	TH137-41	Screw M4x20	1
16	TH137-16GM	Hopper	1	42	TH137-42	Impeller	1
17	TH137-17	R Pin Ø2	1	43	TH137-43	Screw ST6.3X40	4
18	TH137-18	Fitted to TH137-16	1	44	TH137-44	Hex Lock Nut M5	1
19	TH137-19	Pivot & Bracket Ass'y	1	45	TH137-45	Cross Brace	1
20	TH137-20GM	Wheel Ass'y Frame	2	46	TH137-46	Adjust Connect Rod B	1
21	TH137-24	M6 Nut	2	47	TH137-47	Hex Bolt M5X45	1
22	TH137-22	End Cover	2	48	TH137-48	Flat Washer Ø6	3
23	TH137-23GM	Upper Handle	2	49	TH137-49	Rain Cover	1
24	TH137-24	Lock Nut M6	12	50	TH137-50	Lock Washer Ø6	1
25	TH137-25	Control Rod A	1	51	TH137-51	Cotter Pin Ø2x10	1
26	TH137-26GM	Handle Shaft	1	52	TH137-52	Nylon Washer	4

GJ HANDY & CO LTD USER WARRANTY POLICY

Users Statement of Warranty

Each new machine is warranted against defective material or assembly of material under normal usage. The warranty applies to the original purchaser and covers faulty parts and the labour involved in replacing and repairing those parts, which are of original manufacture.

Period of Warranty

The Handy (Petrol & Electric only), Webb (excludes Dynamic, Heritage, Legacy), Sanli Engine

- a) 2 years from the original date of sale to the first domestic user.
- b) 90 days from the original date of sale to the professional/commercial user.
- c) 90 days from the original date of sale when used for hire.
- d) A reduced warranty period of 90 days applies to those items which are subject to normal wear and tear (e.g. but not limited to wheels, tyres, cutter bars, cylinders, cutting blades, blade boss, belts, cables, nylon line & spool, collection bags, spark plugs).
- e) Engines are supplied with a separate warranty to the machine. The engine manufacturers warranty statement which will be supplied within the engine instruction manual. All enquiries and warranty repairs should be discussed with the engine manufacturer or approved warranty repair dealer.
- f) 90 days from the original date of purchase for Replacement Spare Parts (unless normal wear & tear component, which are covered for 30 days).
- g) All machines' must be serviced within the first 12 months from the original date of purchase to comply with the warranty (if applicable), failure to do so will invalidate the 2nd year of the warranty.

Webb Dynamic, Heritage & Legacy, Handy (All non-Petrol & Electric), Mowerland, Q-Garden

- a) 1 year from the original date of sale to the first domestic user.
- b) 90 days from the original date of sale to the professional/commercial user.
- c) 90 days from the original date of sale when used for hire.
- d) A reduced warranty period of 90 days applies to those items which are subject to normal wear and tear (e.g. but not limited to wheels, tyres, cutter bars, cylinders, cutting blades, blade boss, belts, cables, nylon line & spool, collection bags, spark plugs).
- e) Engines are supplied with a separate warranty to the machine. The engine manufacturers warranty statement which will be supplied within the engine instruction manual. All enquiries and warranty repairs should be discussed with the engine manufacturer or approved warranty repair dealer.
- f) 90 days from the original date of purchase for Replacement Spare Parts (unless normal wear & tear component, which are covered for 30 days).

All warranty repairs must be undertaken by an authorised service dealer. These dealers have been accredited by GJ Handy & Co Ltd and agree to only use genuine parts and follow our repair procedures.

Not covered by this warranty

- a) The warranty policy does not cover any depreciation or damages caused by ordinary wear, rusting or corrosion, lack of correct maintenance or operation, misuse, abuse, lack of transportation or accident.
- b) The warranty policy does not cover any costs necessary for the standard periodic maintenance services instructed by the operator's manual, or service parts replacement which would include oil, filters, tyres, belts, brake linings, fuses, blades, seals and other service parts unless it can be proven that the item has evidence of faulty manufacture.
- c) The warranty policy will not cover failure or damage caused as a result of parts or accessories being modified without the written approval of GJ Handy & Co Ltd.
- d) The warranty policy will not cover the unit if non-genuine parts have been fitted and as a result damage has occurred to the unit.
- e) The warranty policy is non-transferable and is only applicable to the original purchaser.

Disclaimer

- a) This warranty is only a remedy for defect of products. GJ Handy & Co Ltd will never warranty in terms of the merchantability or the fitness for a particular purpose.
- b) No person is authorised to make any warranties, representations or promises, expressed or implied, on behalf of GJ Handy & Co Ltd, or to modify the terms conditions or limitation of this warranty policy in any way.
- c) Neither GJ Handy & Co Ltd nor any company affiliated with GJ Handy & Co Ltd shall be liable in any event or manner whatsoever for incidental or consequential damages or injuries, including, but not limited to, loss of crops, loss of profit, out of pocket expenses or profits, rental of substitute equipment or other commercial losses.

General

- a) Most warrantable failures show up within the first few weeks of use. These failures are usually straightforward and warranty assessment is relatively easy.
- b) Failures relating to cutter decks and belts need careful investigation, as the cause may not always be straightforward. Look for damage to blades and pulleys especially when the cutter belt or blade boss have snapped or cracked as this could be due to impact damage.
- c) Customers should always refer to the operator/instruction manual when any disputed problem arises, you will find most areas covered within the manual.

VERSION 8 01-2020

**For spares or support of your product,
please contact us:**

Tel: 01793 333212

Email: customerservice@handydistribution.co.uk

Opening Hours Weekdays:

February to October 8:00am - 5:00pm

November to January 8:30am - 5:00pm

(CLOSED WEEKENDS & BANK HOLIDAYS)

To see our range of garden machinery & equipment visit:

www.thehandy.co.uk

Making gardening easier & affordable since 1938

Distributed by Handy Distribution, Murdock Road, Dorcan, Swindon, SN3 5HY